

B16-REVO



FEATURES

- Newly design LED optic certified ECE R65 Rotating Beacon.
- ECE R10 EMC Electromagnetic Compatibility.
- 12~24VDC operation.
- 100,000 hours rated LED.
- Non-volatile flash pattern memory.
- Reverse polarity protection.
- Weatherproof & shockproof capability for all environment.
- Various mounting options for versatile installation.

SPECIFICATIONS

Compliance: ECE R65 Class 1 (Rotating TA1 or TB1);
ECE R10; IPX6

Operating Voltage: 12~24VDC

No. of Warning Pattern: 1

LED Elements: High Power LED x 10 pcs

Avg. Current: 1.28A @12V / 0.64A @24V
(varies by flash pattern)

Max. Current: 1.28A @12V / 0.64A @24V

Avg. Power: 15.3W (varies by flash pattern)

Max. Power: 15.3W

Wires: *Magnetic Mount*

- Single button cigar-plug: 300cm (18AWG)

Permanent Mount

- Red-Vcc : 40cm (18AWG)
- Black-GND: 40cm (18AWG)

Fuse Rating: 3A

Synchronization: NA.

Storage Temp.: -40°C to +75°C

Operating Temp.: -30°C to +65°C

LED Colour: Amber, Blue

Lens Colour: Amber, Blue

Warranty: 5 Years



PART NO.

- **B016-3x838-00R** (Rotating TA1, Amber LED, Amber Lens)
- **B016-3x832-00R** (Rotating TB1, Blue LED, Blue Lens)

Replace x for:

- 1 = 3-BOLT MOUNT
- 2 = MAGNETIC MOUNT (Straightcord w/ Standard Cigar Plug)
- 3 = DIN POLE MOUNT
- 4 = MAGNETIC MOUNT (Coiled cord w/ ISO 4165 "European" Plug)
- 6 = POWER MAG. MOUNT❖ (Coiled cord w/ ISO 4165 "European" Plug)
- 9 = Ø18MM POLE MOUNT★ (Off-centred Cable-out)
- A = Ø36MM POLE MOUNT★ (Centred Cable-out)
- B = TELESCOPIC POLE MOUNT★ (2 Wire Cable-out)

★ Special order

❖ Power Mag is rated up to 250km/hr

FLASH PATTERN

FLASH PATTERN	
1	Rotator [R65]

ACCESSORIES

99-B016M0X-000

Motorcycle Telescopic Pole



99-B016M00-000

B16 Branch Guard



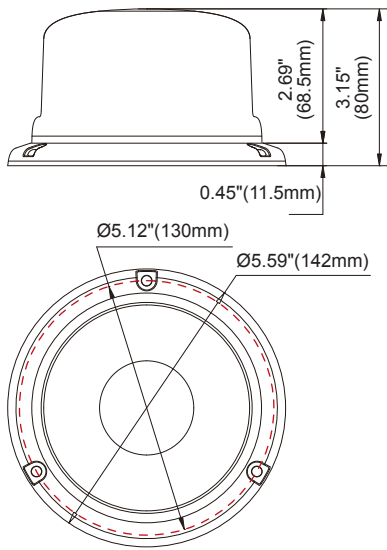
99-B016X00-000

B16 Power Magnetic Rubber Base

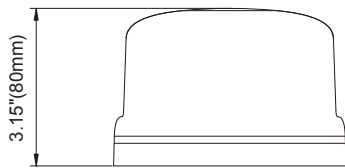


DIMENSIONS

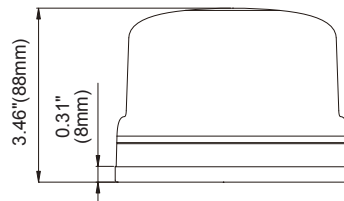
3-Bolt Mount



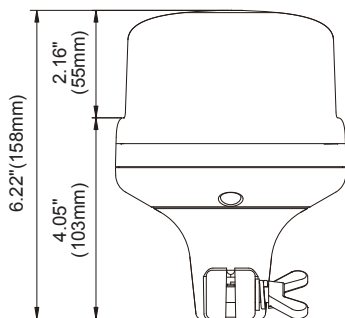
Magnetic Mount



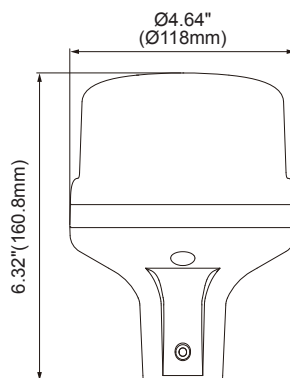
Power Magnetic Mount



DIN Pole Mount



Ø18|Ø36MM Pole Mount



Telescopic Pole Mount

